

1

2

3

A

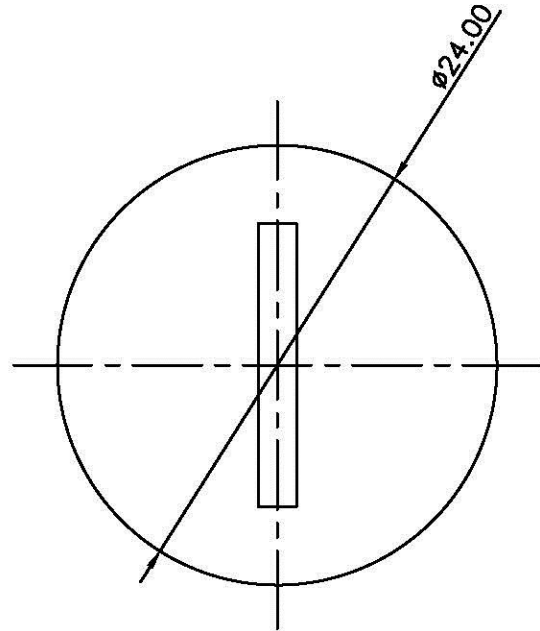
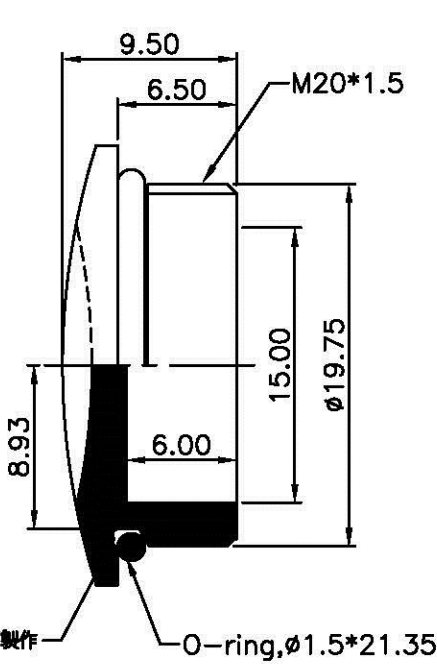
A

B

B

C

C



**Material:**

Body: CuZn39Pb3 (快制鋼)

O-ring: Silicone 50°

Plating: Ni 100u" min

※凡標註△記號者，為品管檢驗之尺寸

**J-CON**

UNIT	SCALE	SHEET
mm	3/1	1 of 1

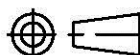
TITLE :

DRAWN BY	APPROVED BY
Alan	Alan
100506	100506

Cap

General tolerance

.XXX	±0.10
.XX	±0.25
.X	±0.38
X	±0.50
ANG	±3°



**All Connectors**

www.allconnectors.de  
 +49 4403 33 00000  
 70794 Filzlarstedt Germany

info@allconnectors.de  
 +49 4403 33 00000  
 Kette 14str. 25

REV.

A

REV	DESCRIPTION	DATE
-----	-------------	------

1

2

3

D

D